



EN - Suitable for water pumps and professional plumbing systems automation.

- **Casing:** Polypropylene

ES - Flotador ideal para la automatización de bombas e instalaciones hidráulicas profesionales.

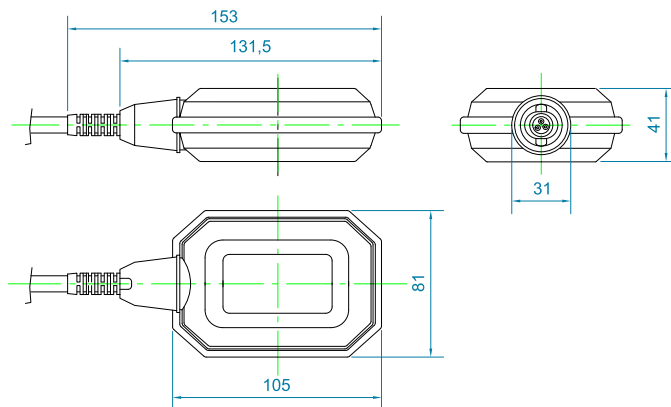
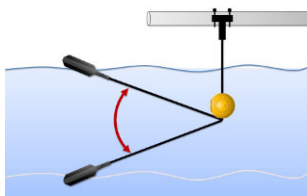
- **Cuerpo:** Polypropylene

FR - Flotteur pour l'automatisation des électropompes et installations hydrauliques professionnelles.

- **Corps:** Polypropylène



Shell Counterweight - 230g¹
 Contrapeso Shell - 230g¹
 Contrepoids Shell - 230g¹



FOX Model	Cable	Length	Rating	Temp	Depth	Angle
FOX A-00-SPST	SJOW 3AWG16	2 / 10 / 20 / 30 (ft)	250V 10A / 250V 1-½HP / 125V ½HP			
FOX A-01-SPST	SJOW 3AWG14	2 / 10 / 20 / 30 (ft)	250V 14A / 250V 2HP / 125V ¾HP			
FOX A-05-SPST	SJOW 3AWG14 +PIGGYBACK PLUG	15 / 33 (ft)	125V ¾HP	max.+50°C (+122°F)	max.10m (32,8ft)	90°±20°
FOX A-00-SPDT	SJOW 3AWG16	2 / 10 / 20 / 30 (ft)	250V 10A / 250V 1HP / 125V ½HP			
FOX A-04-SPST	SJOW 2AWG14	2 / 10 / 20 / 30 (ft)	250V 14A / 250V 2HP / 125V ¾HP			

1 - accessory not included - accesorio excluido - accessoire non inclus